



Main

Range of product	Modicon M238 logic controller
Product or component type	Discrete output module
Discrete output number	16
Discrete output type	Relay

Complementary

Range compatibility	Advantys OTB Twido
Discrete output function	1 NO
Current per channel	2...5 A
Current per output common	8 A
Number of common point	2
Contact resistance	<= 45 mOhm
Response time	<= 5 ms from state 1 to state 0 input <= 10 ms from state 0 to state 1 input
Minimum switching current	0.1 mA 0.1 V DC
Isolation between channels	1500 V for 1 minute
Isolation between channels and internal logic	2300 V for 1 minute
Isolation between output channels group	1500 V for 1 minute
Mechanical durability	20000000 cycles
Electrical durability	100000 cycles 2 A 30 V DC resistive 100000 cycles 2 A 240 V AC resistive 100000 cycles 1 A DC-13 24 V DC inductive (L/R = 7 ms) 100000 cycles 1 A AC-15 240 V AC cos phi = 0.7 inductive 100000 cycles 0.5 A AC-15 240 V AC cos phi = 0.35 inductive
Current consumption	40 mA 24 V DC at state 1 for all output 30 mA 5 V DC at state 1 for all output
Local signalling	1 display block
Electrical connection	1 removable screw terminal block
Mounting support	35 mm symmetrical DIN rail
Product weight	0.145 kg

Environment

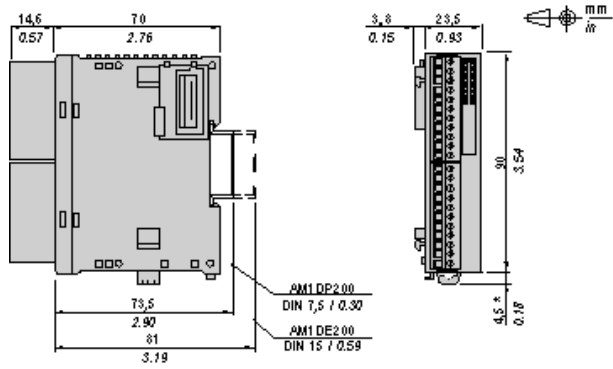
Depth	84.6 mm
Height	90 mm
Width	27.3 mm

Offer Sustainability

Sustainable offer status	Not Green Premium product
RoHS	Compliant - since 0830 - Schneider Electric declaration of conformity
REACH	Reference not containing SVHC above the threshold
Product environmental profile	Available Download Product Environmental

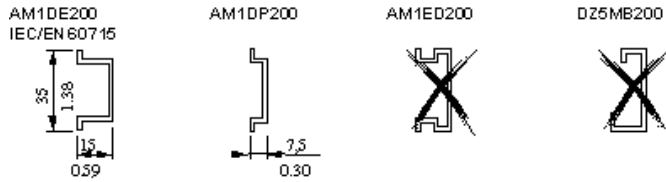
Digital Relay Output Module (16-contact)

Dimensions



NOTE: * 8.5 mm (0.33 in) when the clamp is pulled out.

DIN Rail Mounting

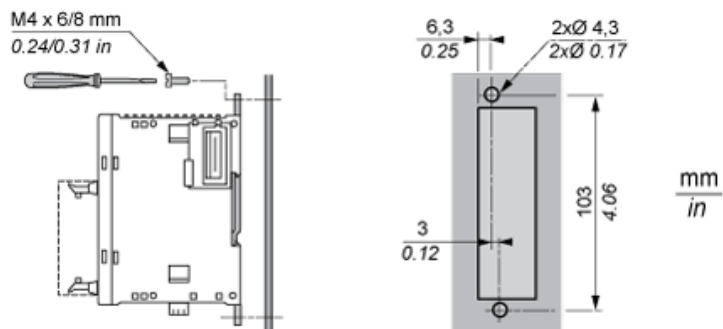


Rail depth	Catalogue part number
15 mm (0.59 in.)	AM1DE200
7,5 mm (0.30 in.)	AM1DP200

NOTE: Do not use AM1ED200 and DZ5MB200

Module Mounting on a Panel Surface

Mounting Hole Layout



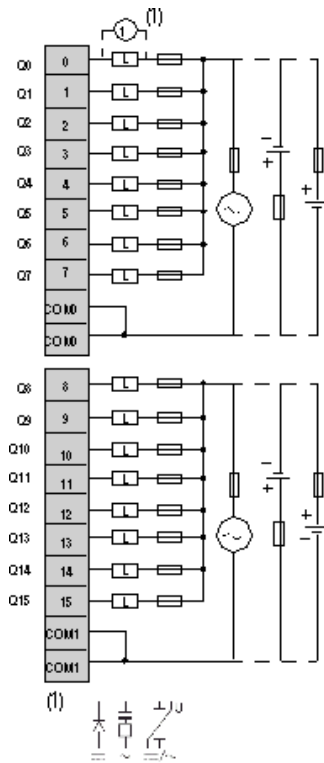
Wiring Requirements

Cable Types and Wire Sizes for Removable Screw Terminal Block

 9 0.35 mm in.							
	mm ²	0,14...1,5	0,25...0,5	0,25...1,5	0,14...0,5	0,14...0,75	0,25...0,34
AWG	26...16	24...20	24...16	26...20	26...18	24...22	20

Digital Relay Output Module (16-contact)

Wiring Diagram



L Load