

Product datasheet

Specifications



controller M241 40 IO transistor PNP Ethernet

TM241CE40T

EAN Code: 3606480611209

Main

Range of product	Modicon M241
Product or component type	Logic controller
[Us] rated supply voltage	24 V DC
Discrete input number	24, discrete input 8 fast input conforming to IEC 61131-2 Type 1
Discrete output type	Transistor
Discrete output number	16 transistor 4 fast output
Discrete output voltage	24 V DC for transistor output
Discrete output current	0.1 A for fast output (PTO mode) (Q0...Q3) 0.5 A for transistor output (Q0...Q15)

Complementary

Discrete I/O number	40
Maximum number of I/O expansion module	7 (local I/O-Architecture) 14 (remote I/O-Architecture)
Supply voltage limits	20.4...28.8 V
Inrush current	50 A
Power consumption in W	32.6...40.4 W (with max number of I/O expansion module)
Discrete input logic	Sink or source
Discrete input voltage	24 V
Discrete input voltage type	DC
Voltage state 1 guaranteed	≥ 15 V for input
Voltage state 0 guaranteed	≤ 5 V for input
Discrete input current	10.7 mA for fast input 7 mA for input
Input impedance	4.7 kOhm for input 2.81 kOhm for fast input
Response time	≤ 2 μ s turn-on, I0...I7 terminal(s) for fast input ≤ 2 μ s turn-off, I0...I7 terminal(s) for fast input ≤ 2 μ s turn-on, Q0...Q3 terminal(s) for fast output ≤ 2 μ s turn-off, Q0...Q3 terminal(s) for fast output 50 μ s turn-on, I0...I15 terminal(s) for input 50 μ s turn-off, I0...I15 terminal(s) for input ≤ 34 μ s turn-on, Q0...Q15 terminal(s) for output ≤ 250 μ s turn-off, Q0...Q15 terminal(s) for output

Configurable filtering time	1 µs for fast input 12 ms for fast input 0 ms for input 1 ms for input 4 ms for input 12 ms for input
Discrete output logic	Positive logic (source)
Output voltage limits	30 V DC
Maximum current per output common	2 A
Maximum output frequency	20 kHz for fast output (PWM mode) 100 kHz for fast output (PLS mode) 1 kHz for output
Accuracy	+/- 0.1 % at 0.02...0.1 kHz for fast output +/- 1 % at 0.1...1 kHz for fast output
Maximum leakage current	5 µA for output
Maximum voltage drop	<1 V
Maximum tungsten load	<2.4 W
Protection type	Short-circuit protection Short-circuit and overload protection with automatic reset Reverse polarity protection for fast output
Reset time	10 ms automatic reset output 12 s automatic reset fast output
Memory capacity	64 MB for system memory RAM
Data backed up	128 MB built-in flash memory for backup of user programs
Data storage equipment	<= 16 GB SD card (optional)
Battery type	BR2032 lithium non-rechargeable, battery life: 4 year(s)
Backup time	2 years at 25 °C
Execution time for 1 KInstruction	0.3 ms for event and periodic task 0.7 ms for other instruction
Application structure	3 cyclic master tasks + 1 freewheeling task 8 external event tasks 4 cyclic master tasks 8 event tasks
Realtime clock	With
Clock drift	<= 60 s/month at 25 °C
Positioning functions	PTO function 4 channel(s) (positioning frequency: 100 kHz) PTO function 4 channel(s) for transistor output (positioning frequency: 1 kHz)
Counting input number	4 fast input (HSC mode) at 200 kHz 16 standard input at 1 kHz
Control signal type	A/B at 100 kHz for fast input (HSC mode) Pulse/direction at 200 kHz for fast input (HSC mode) Single phase at 200 kHz for fast input (HSC mode)
Integrated connection type	Non isolated serial link serial 1 with RJ45 connector and RS232/RS485 interface Non isolated serial link serial 2 with removable screw terminal block connector and RS485 interface USB port with mini B USB 2.0 connector Ethernet with RJ45 connector
Supply	(serial 1)serial link supply: 5 V, <200 mA
Transmission rate	1.2...115.2 kbit/s (115.2 kbit/s by default) for bus length of 15 m for RS485 1.2...115.2 kbit/s (115.2 kbit/s by default) for bus length of 3 m for RS232 480 Mbit/s for bus length of 3 m for USB 10/100 Mbit/s for Ethernet
Communication port protocol	Non isolated serial link: Modbus master/slave

Port Ethernet	10BASE-T/100BASE-TX - 1 port(s) copper cable
ethernet services	<p>FDR</p> <p>DHCP server via TM4 Ethernet switch network module</p> <p>DHCP client embedded Ethernet port</p> <p>SMS notifications</p> <p>Updating firmware</p> <p>SNMP client/server</p> <p>Programming</p> <p>NGVL</p> <p>Monitoring</p> <p>IEC VAR ACCESS</p> <p>FTP client/server</p> <p>Downloading</p> <p>SQL client</p> <p>Modbus TCP client I/O scanner</p> <p>Ethernet/IP originator I/O scanner embedded Ethernet port</p> <p>Ethernet/IP target, Modbus TCP server and Modbus TCP slave</p> <p>Send and receive email from the controller based on TCP/UDP library</p> <p>Web server (WebVisu & XWeb system)</p> <p>OPC UA server</p> <p>DNS client</p>
Local signalling	<p>1 LED (green) for PWR</p> <p>1 LED (green) for RUN</p> <p>1 LED (red) for module error (ERR)</p> <p>1 LED (red) for I/O error (I/O)</p> <p>1 LED (green) for SD card access (SD)</p> <p>1 LED (red) for BAT</p> <p>1 LED (green) for SL1</p> <p>1 LED (green) for SL2</p> <p>1 LED (red) for bus fault on TM4 (TM4)</p> <p>1 LED per channel (green) for I/O state</p> <p>1 LED (green) for Ethernet port activity</p>
Electrical connection	<p>removable screw terminal blockfor inputs and outputs (pitch 5.08 mm)</p> <p>removable screw terminal blockfor connecting the 24 V DC power supply (pitch 5.08 mm)</p>
Maximum cable distance between devices	<p>Unshielded cable: <50 m for input</p> <p>Shielded cable: <10 m for fast input</p> <p>Unshielded cable: <50 m for output</p> <p>Shielded cable: <3 m for fast output</p>
Insulation	<p>Between supply and internal logic at 500 V AC</p> <p>Non-insulated between supply and ground</p> <p>Between input and internal logic at 500 V AC</p> <p>Non-insulated between inputs</p> <p>Between fast input and internal logic at 500 V AC</p> <p>Between output and internal logic at 500 V AC</p> <p>Non-insulated between outputs</p> <p>Between fast output and internal logic at 500 V AC</p> <p>Between output groups at 500 V AC</p>
Marking	CE
Surge withstand	<p>1 kV power lines (DC) common mode conforming to IEC 61000-4-5</p> <p>1 kV shielded cable common mode conforming to IEC 61000-4-5</p> <p>0.5 kV power lines (DC) differential mode conforming to IEC 61000-4-5</p> <p>1 kV relay output differential mode conforming to IEC 61000-4-5</p> <p>1 kV input common mode conforming to IEC 61000-4-5</p> <p>1 kV transistor output common mode conforming to IEC 61000-4-5</p>
Web services	Web server
Maximum number of connections	<p>8 Modbus server</p> <p>8 SoMachine protocol</p> <p>10 web server</p> <p>4 FTP server</p> <p>16 Ethernet/IP target</p> <p>8 Modbus client</p>
Number of server device(s)	<p>64 Modbus TCP:</p> <p>16 EtherNet/IP:</p>
Cycle time	<p>10 ms 16 EtherNet/IP</p> <p>64 ms 64 Modbus TCP</p>

Mounting support	Top hat type TH35-15 rail conforming to IEC 60715 Top hat type TH35-7.5 rail conforming to IEC 60715 plate or panel with fixing kit
Height	90 mm
Depth	95 mm
Width	190 mm
Net weight	0.62 kg

Environment

Standards	ANSI/ISA 12-12-01 CSA C22.2 No 142 CSA C22.2 No 213 IEC 61131-2:2007 Marine specification (LR, ABS, DNV, GL) UL 508
Product certifications	RCM cULus CE UKCA DNV-GL ABS LR
Resistance to electrostatic discharge	8 kV in air conforming to IEC 61000-4-2 4 kV on contact conforming to IEC 61000-4-2
Resistance to electromagnetic fields	10 V/m 80 MHz...1 GHz conforming to IEC 61000-4-3 3 V/m 1.4 GHz...2 GHz conforming to IEC 61000-4-3 1 V/m 2 GHz...3 GHz conforming to IEC 61000-4-3
Resistance to fast transients	2 kV (power lines) conforming to IEC 61000-4-4 1 kV (Ethernet line) conforming to IEC 61000-4-4 1 kV (serial link) conforming to IEC 61000-4-4 1 kV (input) conforming to IEC 61000-4-4 1 kV (transistor output) conforming to IEC 61000-4-4
Resistance to conducted disturbances	10 V 0.15...80 MHz conforming to IEC 61000-4-6 3 V 0.1...80 MHz conforming to Marine specification (LR, ABS, DNV, GL) 10 V spot frequency (2, 3, 4, 6.2, 8.2, 12.6, 16.5, 18.8, 22, 25 MHz) conforming to Marine specification (LR, ABS, DNV, GL)
Electromagnetic emission	Conducted emissions - test level: 120...69 dB μ V/m QP (power lines) at 10...150 kHz conforming to IEC 55011 Conducted emissions - test level: 63 dB μ V/m QP (power lines) at 1.5...30 MHz conforming to IEC 55011 Radiated emissions - test level: 40 dB μ V/m QP class A at 30...230 MHz conforming to IEC 55011 Conducted emissions - test level: 79...63 dB μ V/m QP (power lines) at 150...1500 kHz conforming to IEC 55011 Radiated emissions - test level: 47 dB μ V/m QP class A at 230...1000 MHz conforming to IEC 55011
Immunity to microbreaks	10 ms
Ambient air temperature for operation	-10...50 °C (vertical installation) -10...55 °C (horizontal installation)
Ambient air temperature for storage	-25...70 °C
Relative humidity	10...95 %, without condensation (in operation) 10...95 %, without condensation (in storage)
IP degree of protection	IP20 with protective cover in place
pollution degree	2
Operating altitude	0...2000 m
Storage altitude	0...3000 m

Vibration resistance	3.5 mm at 5...8.4 Hz on symmetrical rail 3 gn at 8.4...150 Hz on symmetrical rail 3.5 mm at 5...8.4 Hz on panel mounting 3 gn at 8.4...150 Hz on panel mounting
-----------------------------	--

Shock resistance	15 gn for 11 ms
-------------------------	-----------------

Packing Units

Unit Type of Package 1	PCE
-------------------------------	-----

Number of Units in Package 1	1
-------------------------------------	---

Package 1 Height	11.259 cm
-------------------------	-----------

Package 1 Width	13.069 cm
------------------------	-----------

Package 1 Length	22.934 cm
-------------------------	-----------

Package 1 Weight	770.0 g
-------------------------	---------

Unit Type of Package 2	S03
-------------------------------	-----

Number of Units in Package 2	6
-------------------------------------	---

Package 2 Height	30 cm
-------------------------	-------

Package 2 Width	30 cm
------------------------	-------

Package 2 Length	40 cm
-------------------------	-------

Package 2 Weight	5.461 kg
-------------------------	----------

Unit Type of Package 3	P06
-------------------------------	-----

Number of Units in Package 3	48
-------------------------------------	----

Package 3 Height	75.0 cm
-------------------------	---------

Package 3 Width	40.0 cm
------------------------	---------

Package 3 Length	80.0 cm
-------------------------	---------

Package 3 Weight	54 kg
-------------------------	-------

Logistical informations

Country of origin	ID
--------------------------	----

Contractual warranty

Warranty	18 months
-----------------	-----------

Environmental Data

Schneider Electric aims to achieve Net Zero status by 2050 through supply chain partnerships, lower impact materials, and circularity via our ongoing “Use Better, Use Longer, Use Again” campaign to extend product lifetimes and recyclability.

[Environmental Data explained >](#)

[How we assess product sustainability >](#)

Environmental footprint

Carbon footprint (kg.eq.CO2 per CR, Total Life cycle) 966

Environmental Disclosure [Product Environmental Profile](#)

Use Better

Materials and Substances

Packaging made with recycled cardboard Yes

Packaging without single use plastic Yes

EU RoHS Directive Pro-active compliance (Product out of EU RoHS legal scope)

SCIP Number 3d1fb974-648d-4978-8c59-b7dcc486f5a5

REACH Regulation [REACH Declaration](#)

China RoHS Regulation [China RoHS declaration](#)

PVC free Yes

Use Again

Repack and remanufacture

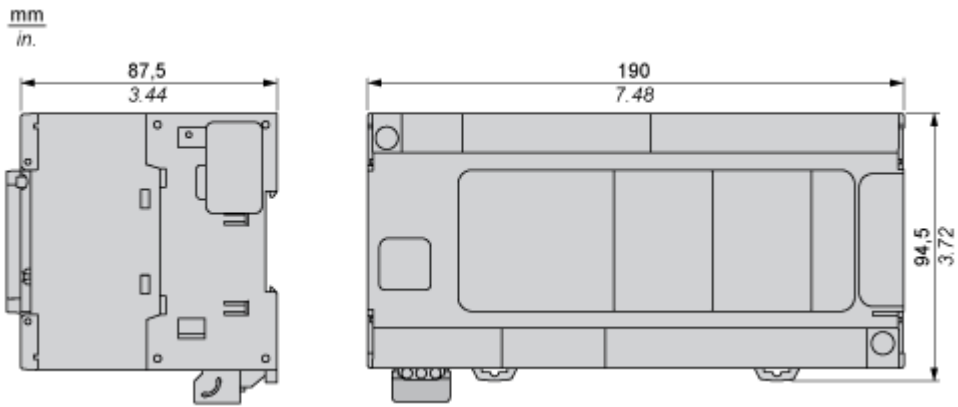
Circularity Profile [End of Life Information](#)

WEEE  The product must be disposed on European Union markets following specific waste collection and never end up in rubbish bins

Take-back No

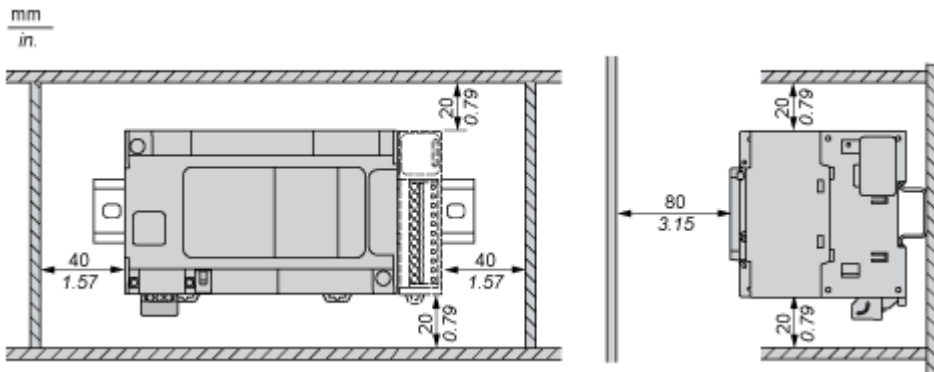
Dimensions Drawings

Dimensions

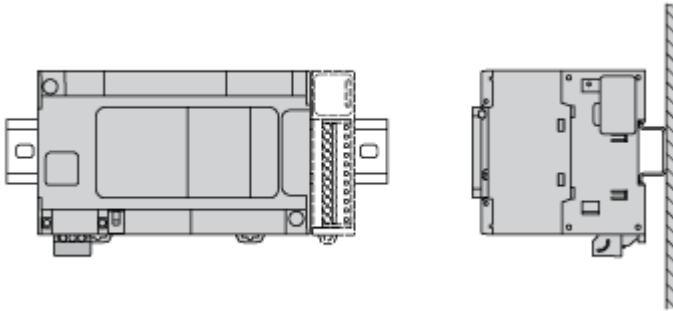


Mounting and Clearance

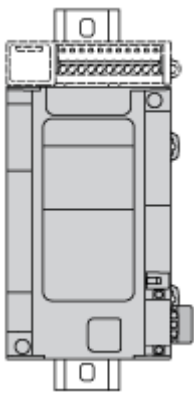
Clearance



Mounting Position

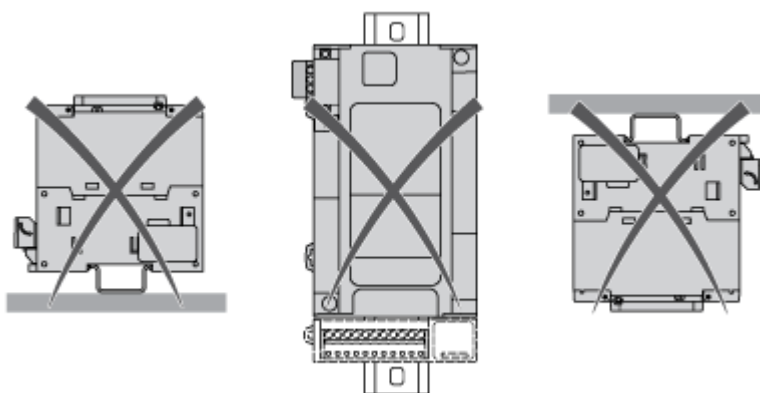


Acceptable Mounting



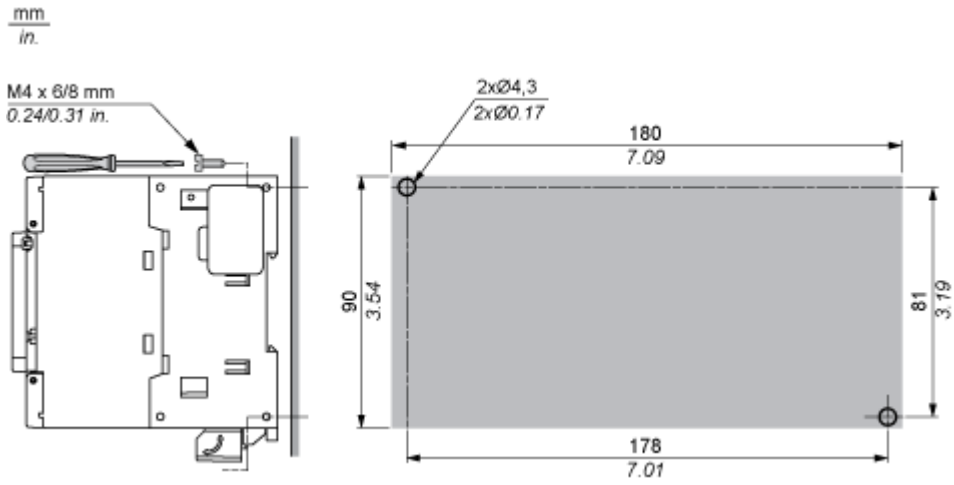
NOTE: Expansion modules must be mounted above the logic controller.

Incorrect Mounting



Direct Mounting On a Panel Surface

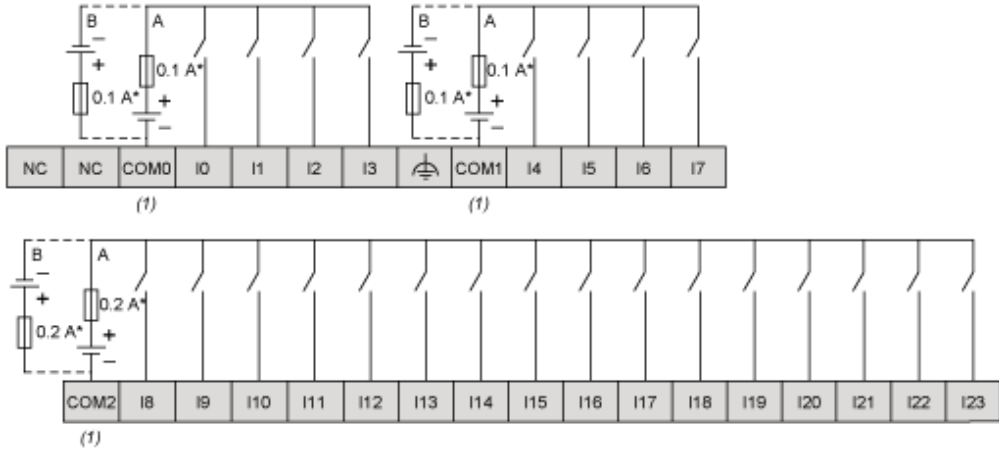
Mounting Hole Layout



Connections and Schema

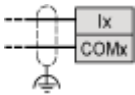
Digital Inputs

Wiring Diagram



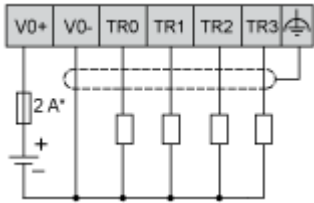
- (*) : Type T fuse
- (1) : The COM0, COM1 and COM2 terminals are not connected internally
- (A) : Sink wiring (positive logic)
- (B) : Source wiring (negative logic)

Fast Input Wiring (I0...I7)



Fast Transistor Outputs

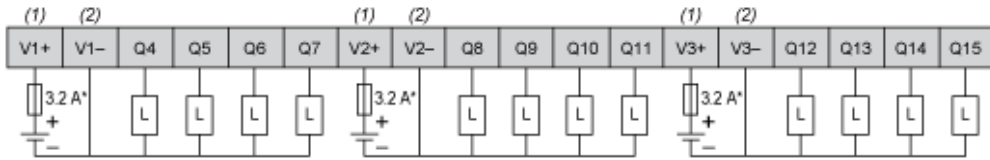
Wiring Diagram



(*) : 2 A fast-blow fuse

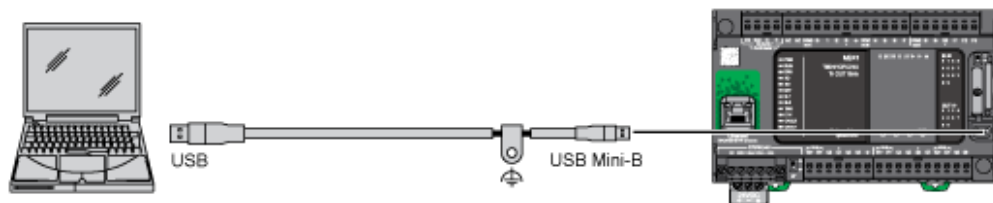
Transistor Outputs

Wiring Diagram



- (*) : Type T fuse
- (1) : The V1+, V2+ and V3+ terminals are not connected internally.
- (2) : The V1-, V2- and V3- terminals are not connected internally.

USB Mini-B Connection



Ethernet Connection to a PC

