



### Main

Range of product	Modicon STB distributed I/O solution
Product or component type	Standard power distribution kit

### Complementary

Kit composition	STBPDT2100 module STBXBA2200 base STBXTS1130, screw type connectors STBXTS2130, spring type connectors
[Us] rated supply voltage	24 V
Supply circuit type	DC
Power supply output current	0...8 A 30 °C output circuit 0...4 A 30 °C input circuit ≤ 8 A 60 °C input/output circuit ≤ 6 A 70 °C input/output circuit ≤ 12 A 30 °C input/output circuit ≤ 10 A 45 °C input/output circuit
Voltage range	19.2...30 V DC sensor/actuator bus
Hot swapping fallback	Hot swapping illegal
Protection type	Reverse polarity actuator bus Built-in overcurrent protection 5 A time-lag input circuit Built-in overcurrent protection 10 A time-lag output circuit
Permissible current	0...30 A for 2 minutes grounding terminal
Voltage detection threshold	≥ 15 V +/-1 DC IN/OUT LED non lit < 15 V +/-1 DC IN/OUT LED lit
Product compatibility	Mounting base STBXBA2200
Marking	CE
Overvoltage category	II
Status LED	1 LED green sensor bus power supply (IN) 1 LED green actuator bus power supply (OUT)
Depth	65.1 mm
Height	18.4 mm
Width	125 mm
Product weight	0.13 kg

### Environment

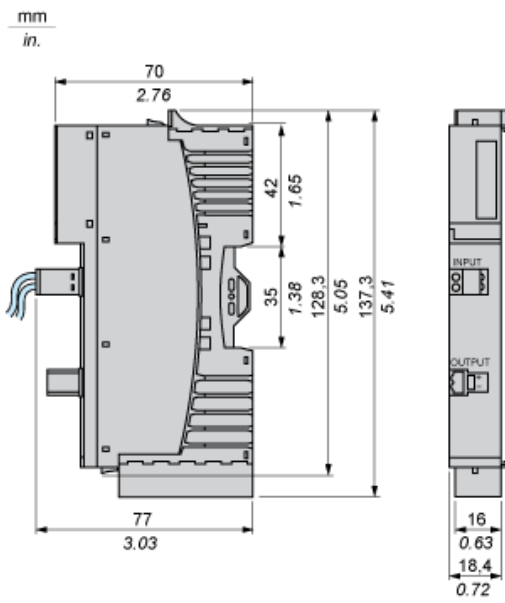
Product certifications	CSA FM Class 1 Division 2 UL
Pollution degree	2 IEC 60664-1
Operating altitude	≤ 2000 m
IP degree of protection	IP20 EN 61131-2 class 1
Ambient air temperature for operation	-25...70 °C with derating factor 0...60 °C without derating

Ambient air temperature for storage	-40...85 °C
Relative humidity	95 % 60 °C without condensation
Vibration resistance	5 gn 58...150 Hz 35 x 15 mm symmetrical DIN rail 3 gn 58...150 Hz 35 x 7.5 mm symmetrical DIN rail +/-0.35 mm 10...58 Hz
Shock resistance	30 gn 11 ms IEC 88 reference 2-27

### Offer Sustainability

Sustainable offer status	Not Green Premium product
RoHS (date code: YYWW)	Compliant - since 0903 - <a href="#">Schneider Electric declaration of conformity</a>
REACH	Reference not containing SVHC above the threshold

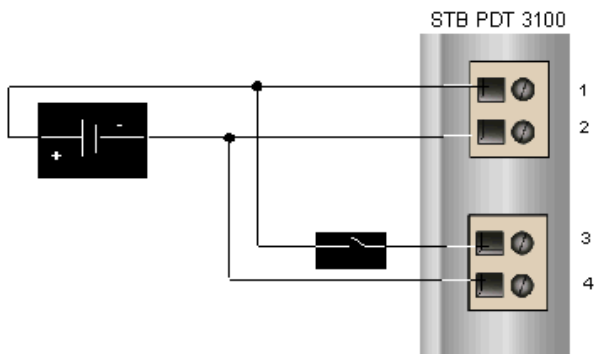
## Dimensions



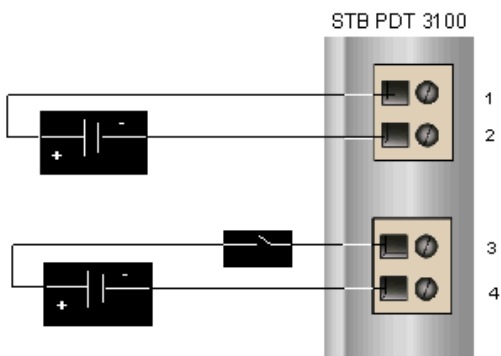
## Wiring Diagrams

### Examples

Single power supply



Separated power supplies



Pin	Top Connector	Bottom Connector
1	+24 VDC for the sensor bus	+24 VDC for the sensor bus
2	-24 VDC sensor power return	-24 VDC actuator power return

---

Performance Curve

---

