



Main

Range of product	Modicon STB distributed I/O solution
Product or component type	Auxiliary power supply kit
Product specific application	Supply for logic of I/O module

Complementary

Kit composition	Terminal spring clamp connector STBXBA2100 base STBCPS2111 module Terminal screw type connector
[Us] rated supply voltage	24 V
Supply circuit type	DC
Supply voltage limits	19.2...30 V
Input current	400 MA
Output voltage	5.25 V +/- 0.21 % logic bus
Output voltage type	DC
Power supply output current	1.2 A
Electrical connection	2 pins for removable connector for power supply
Marking	CE
Overtoltage category	II

Environment

Electromagnetic compatibility	Immunity to electromagnetic interference conforming to IEC 61131-2
Product certifications	UL CSA FM Class 1 Division 2
Pollution degree	2 conforming to IEC 60664-1
Operating altitude	<= 2000 m
IP degree of protection	IP20 conforming to EN 61131-2 class 1
Ambient air temperature for operation	-25...70 °C (without derating)
Ambient air temperature for storage	-40...85 °C
Relative humidity	95 % at 60 °C without condensation
Vibration resistance	3 gn at 58...150 Hz on 35 x 7.5 mm symmetrical DIN rail 5 gn at 58...150 Hz on 35 x 15 mm symmetrical DIN rail +/-0.35 mm at 10...58 Hz
Shock resistance	30 gn for 11 ms conforming to IEC 88 reference 2-27

Packing Units

Unit Type of Package 1	PCE
Number of Units in Package 1	1
Package 1 Weight	120 G
Package 1 Height	2.5 Cm
Package 1 width	8 Cm
Package 1 Length	13 Cm
Unit Type of Package 2	S02
Number of Units in Package 2	42
Package 2 Weight	5.4 Kg
Package 2 Height	15 Cm
Package 2 width	30 Cm
Package 2 Length	40 Cm

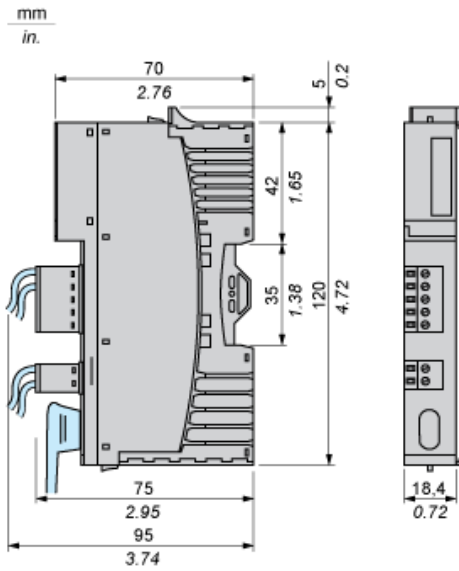
Offer Sustainability

Sustainable offer status	Green Premium product
EU RoHS Directive	Pro-active compliance (Product out of EU RoHS legal scope) EU RoHS Declaration
Mercury free	Yes
RoHS exemption information	Yes
China RoHS Regulation	China RoHS Declaration
Environmental Disclosure	Product Environmental Profile
Circularity Profile	End Of Life Information
WEEE	The product must be disposed on European Union markets following specific waste collection and never end up in rubbish bins

Contractual warranty

Warranty	18 months
----------	-----------

Dimensions



Product Life Status : Commercialised