



Main

Range of product	Modicon X80
Product or component type	Ethernet RIO drop adaptor

Complementary

Bus type	Bus X across the remote backplane
Number of port	3
Integrated connection type	Ethernet/IP for device network Ethernet/IP for service port
Communication port protocol	EtherNet/IP
Communication service	Output modules are updated with the data received from remote I/O head adaptor The input data are collected and published to the remote I/O head adaptor Configure IP parameters Diagnostics for remote I/O devices RSTP support
Function available	CCOTF (configuration change on the fly)
Data recording	10 ms time stamps
Topology	Daisy chain loop
Local signalling	1 LED (green) for module active (RUN) 1 LED (red) for module error (ERR) 1 LED (green/red) for module status (Mod Status) 1 LED (green/red) for network communication status (Net Status) 1 LED (green) for Ethernet link diagnostics (STS)
Product compatibility	Multifunction input module BMXERT Ethernet module BMXNOM Counter module BMXEHC 0...1024 discrete channel 0...256 analog channel
Marking	CE
Module format	Standard
Maximum altitude transport	3000 m
Relative humidity	95 % without condensation

Environment

Directives	2014/35/EU - low voltage directive 2014/30/EU - electromagnetic compatibility
Environmental characteristic	Standard environment
IP degree of protection	IP20
Ambient air temperature for operation	0...60 °C
Ambient air temperature for storage	-40...85 °C
Operating altitude	<= 2000 m

Packing Units

Unit Type of Package 1	PCE
Number of Units in Package 1	1
Package 1 Weight	270 g
Package 1 Height	5.5 cm
Package 1 width	11 cm
Package 1 Length	12.5 cm
Unit Type of Package 2	S02
Number of Units in Package 2	15
Package 2 Weight	4.35 kg
Package 2 Height	15 cm
Package 2 width	30 cm
Package 2 Length	40 cm

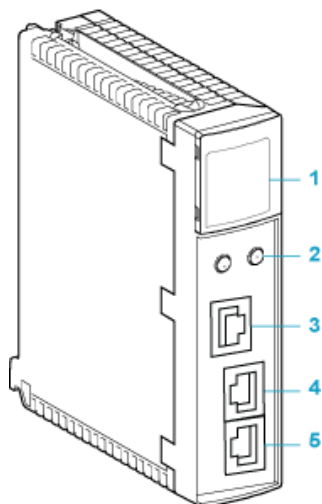
Offer Sustainability

Sustainable offer status	Green Premium product
REACH Regulation	REACH Declaration
REACH free of SVHC	Yes
EU RoHS Directive	Pro-active compliance (Product out of EU RoHS legal scope) EU RoHS Declaration
Mercury free	Yes
RoHS exemption information	Yes
China RoHS Regulation	China RoHS Declaration
Environmental Disclosure	Product Environmental Profile
Circularity Profile	End Of Life Information
WEEE	The product must be disposed on European Union markets following specific waste collection and never end up in rubbish bins

Contractual warranty

Warranty	18 months
----------	-----------

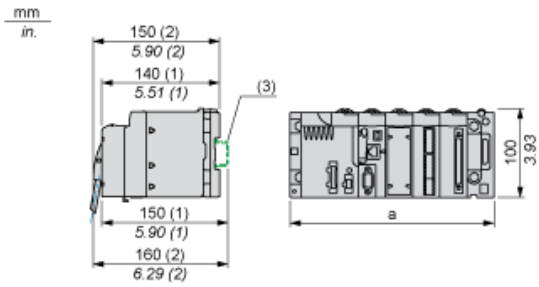
Presentation



- 1 : LED display
- 2 : rotary switches
- 3 : SERVICE port (ETH 1)
- 4 : DEVICE NETWORK port (ETH 2)
- 5 : DEVICE NETWORK port (ETH 3)

Modules Mounted on Racks

Dimensions



- (1) With removable terminal block (cage, screw or spring).
- (2) With FCN connector.
- (3) On AM1 ED rail: 35 mm wide, 15 mm deep. Only possible with BMXXBP0400/0400H/0600/0600H/0800/0800H rack.

Rack references	a in mm	a in in.
BMXXBP0400 and BMXXBP0400H	242.4	09.54
BMXXBP0600 and BMXXBP0600H	307.6	12.11
BMXXBP0800 and BMXXBP0800H	372.8	14.68
BMXXBP1200 and BMXXBP1200H	503.2	19.81