





Main

range of product	Altivar Process ATV600
product or component type	Variable speed drive
product specific application	Process and utilities
device short name	ATV630
variant	Standard version
product destination	Synchronous motors Asynchronous motors
mounting mode	Wall mount
EMC filter	Integrated conforming to EN/IEC 61800-3 category C2 with 50 m motor cable maxi Integrated conforming to EN/IEC 61800-3 category C3 with 150 m motor cable maxi
IP degree of protection	IP21 conforming to IEC 61800-5-1 IP21 conforming to IEC 60529
degree of protection	UL type 1 conforming to UL 508C
type of cooling	Forced convection
supply frequency	50...60 Hz (- 5...5 %)
network number of phases	3 phases
[Us] rated supply voltage	380...480 V (- 15...10 %)
motor power kW	37 kW (normal duty) 30 kW (heavy duty)
motor power hp	40 hp (heavy duty) 50 hp (normal duty)
line current	48.3 A at 480 V (heavy duty) 66.2 A at 380 V (normal duty) 57.3 A at 480 V (normal duty) 54.8 A at 380 V (heavy duty)
prospective line I _{sc}	50 kA
apparent power	40.2 kVA at 480 V (heavy duty) 47.6 kVA at 480 V (normal duty)
continuous output current	61.5 A at 4 kHz (heavy duty) 74.5 A at 4 kHz (normal duty)
maximum transient current	92.3 A during 60 s (heavy duty) 82 A during 60 s (normal duty)
asynchronous motor control profile	Constant torque standard Optimized torque mode Variable torque standard
synchronous motor control profile	Permanent magnet motor
output frequency	0.0001...0.5 kHz
nominal switching frequency	4 kHz
switching frequency	2...12 kHz adjustable 4...12 kHz with derating factor
safety function	STO (safe torque off) SIL 3
discrete input logic	16 preset speeds

communication port protocol	Ethernet Modbus serial Modbus TCP
option card	Slot A : communication module for Profinet Slot A/slot B : output relay extension module Slot A/slot B : digital and analog I/O extension module Slot A : communication module for CANopen screw terminals Slot A : communication module for DeviceNet Slot A : communication module for CANopen SUB-D 9 Slot A : communication module for Ethernet IP/Modbus TCP/MD-Link Slot A : communication module for Profibus DP V1 Slot A : communication module for CANopen daisy chain RJ45 Slot A : communication module for Modbus TCP/EtherNet/IP

Complementary

output voltage	\leq power supply voltage
permissible temporary current boost	1.1 x I _n for 60 s (normal duty) 1.5 x I _n for 60 s (heavy duty)
motor slip compensation	Adjustable Automatic whatever the load Can be suppressed Not available in permanent magnet motor law
acceleration and deceleration ramps	Linear adjustable separately from 0.01 to 9000 s S, U or customized
braking to standstill	By DC injection
protection type	Drive : line supply overvoltage Drive : line supply undervoltage Drive : motor phase break Drive : line supply phase loss Drive : overspeed Motor : motor phase break Drive : safe torque off Drive : thermal protection Motor : thermal protection Drive : overheating Drive : overload of output voltage Motor : safe torque off Drive : overvoltages on the DC bus Drive : overcurrent between output phases and earth Drive : short-circuit protection Drive : break on the control circuit
frequency resolution	Display unit : 0.1 Hz Analog input : 0.012/50 Hz
electrical connection	Control : removable screw terminals 0.5...1.5 mm ² (AWG 20...AWG 16) Line side : screw terminal 35...50 mm ² (AWG 3...AWG 1) Motor : screw terminal 35...50 mm ² (AWG 3...AWG 1)
type of connector	RJ45 (on the remote graphic terminal) for Ethernet/Modbus TCP RJ45 (on the remote graphic terminal) for Modbus serial
physical interface	2-wire RS 485 for Modbus serial
transmission frame	RTU for Modbus serial
transmission rate	4.8, 9.6, 19.2, 38.4 kbit/s for Modbus serial 10/100 Mbit/s for Ethernet IP/Modbus TCP
exchange mode	Half duplex, full duplex, autonegotiation for Ethernet/Modbus TCP
data format	8 bits, configurable odd, even or no parity for Modbus serial
type of polarization	No impedance for Modbus serial
number of addresses	1...247 for Modbus serial
method of access	Slave for Modbus TCP
supply	Internal supply for digital inputs and STO : 24 V DC (21...27 V) current \leq 200 mA (overload and short-circuit protection) Internal supply for reference potentiometer (1 to 10 kOhm) : 10.5 V DC +/- 5 % current \leq 10 mA (overload and short-circuit protection) External supply for digital inputs : 24 V DC (19...30 V) current \leq 1.25 mA (overload and short-circuit protection)

local signalling	1 LED red for presence of voltage 4 LEDs dual colour for communication module status 3 LEDs for local diagnostic 3 LEDs dual colour for embedded communication status
width	226 mm
height	673 mm
depth	271 mm
product weight	28.2 kg
analogue input number	3
analogue input type	Software-configurable voltage AI1, AI2, AI3 : 0...10 V DC impedance 30 kOhm, resolution 12 bits Software-configurable current AI1, AI2, AI3 : 0...20 mA impedance 250 Ohm, resolution 12 bits
discrete input number	8
discrete input type	Safe torque off STOA, STOB : 24 V DC <= 30 V impedance > 2.2 kOhm Programmable DI1...DI6 : 24 V DC <= 30 V impedance 3.5 kOhm Programmable as pulse input DI5, DI6 0...30 kHz : 24 V DC <= 30 V
input compatibility	Discrete input STOA, STOB : level 1 PLC conforming to EN/IEC 61131-2 Discrete input DI5, DI6 : level 1 PLC conforming to IEC 65A-68 Discrete input DI1...DI6 : level 1 PLC conforming to EN/IEC 61131-2
discrete input logic	DI1...DI6, negative logic (sink) : , > 16 V (state 0), < 10 V (state 1) STOA, STOB, positive logic (source) : , < 5 V (state 0), > 11 V (state 1) DI5, DI6, positive logic (source) : , < 0.6 V (state 0), > 2.5 V (state 1) DI1...DI6, positive logic (source) : , < 5 V (state 0), > 11 V (state 1)
analogue output number	2
analogue output type	Software-configurable voltage AO1, AO2 : 0...10 V DC impedance 470 Ohm, resolution 10 bits Software-configurable current AO1, AO2 : 0...20 mA, resolution 10 bits
sampling duration	Analog output AO1 : 10 ms (+/- 1 ms) Discrete input DI1...DI4 : 2 ms (+/- 0.5 ms) Analog input AI1, AI2, AI3 : 5 ms (+/- 0.1 ms) Discrete input DI5, DI6 : 5 ms (+/- 1 ms)
accuracy	Analog input AI1, AI2, AI3 : +/- 0.6 % for a temperature variation 60 °C Analog output AO1, AO2 : +/- 1 % for a temperature variation 60 °C
linearity error	Analog input AI1, AI2, AI3 : +/- 0.15 % of maximum value Analog output AO1, AO2 : +/- 0.2 %
relay output number	3
relay output type	Configurable relay logic R2 : sequence relay NO electrical durability 100000 cycles Configurable relay logic R3 : sequence relay NO electrical durability 100000 cycles Configurable relay logic R1 : fault relay NO/NC electrical durability 100000 cycles
refresh time	Relay output R1, R2, R3 : 5 ms (+/- 0.5 ms)
minimum switching current	Relay output R1, R2, R3 : 5 mA at 24 V DC
maximum switching current	Relay output R1, R2, R3 on inductive load (cos phi = 0.4 and L/R = 7 ms) : 2 A at 250 V AC Relay output R1, R2, R3 on inductive load (cos phi = 0.4 and L/R = 7 ms) : 2 A at 30 V DC Relay output R1, R2, R3 on resistive load (cos phi = 1) : 3 A at 30 V DC Relay output R1, R2, R3 on resistive load (cos phi = 1) : 3 A at 250 V AC
isolation	Between power and control terminals
functionality	Full
specific application	Centrifugal pumps and fans
IP degree of protection	IP21

Environment

insulation resistance	> 1 mOhm at 500 V DC for 1 minute to earth
noise level	63.5 dB conforming to 86/188/EEC
power dissipation in W	796 W (forced convection) at 380 V switching frequency 4 kHz 106 W (natural convection) at 380 V switching frequency 4 kHz
volume of cooling air	240 m3/h
operating position	Vertical +/- 10 degree
THDI	<= 48 % from 80...100 % of load conforming to IEC 61000-3-12

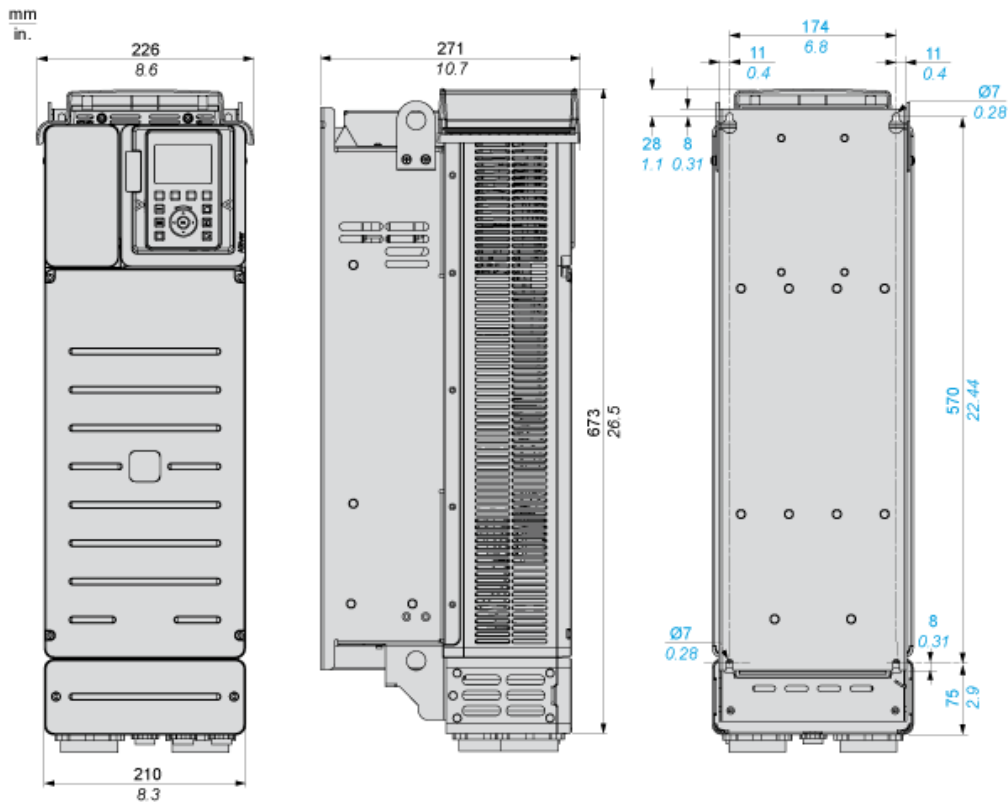
electromagnetic compatibility	Electrostatic discharge immunity test conforming to IEC 61000-4-2 level 3 Radiated radio-frequency electromagnetic field immunity test conforming to IEC 61000-4-3 level 3 Conducted radio-frequency immunity test conforming to IEC 61000-4-6 level 3 Electrical fast transient/burst immunity test conforming to IEC 61000-4-4 level 4 1.2/50 µs - 8/20 µs surge immunity test conforming to IEC 61000-4-5 level 3
pollution degree	2 conforming to EN/IEC 61800-5-1
vibration resistance	1.5 mm peak to peak (f = 2...13 Hz) conforming to IEC 60068-2-6 1 gn (f = 13...200 Hz) conforming to IEC 60068-2-6
shock resistance	15 gn during 11 ms conforming to IEC 60068-2-27
relative humidity	5...95 % without condensation conforming to IEC 60068-2-3
ambient air temperature for operation	-15...50 °C without derating 50...60 °C with derating factor
ambient air temperature for storage	-40...70 °C
operating altitude	<= 1000 m without derating 1000...4800 m with current derating 1 % per 100 m
environmental characteristic	Dust pollution resistance class 3S3 EN/IEC 60721-3-3 Chemical pollution resistance class 3C3 EN/IEC 60721-3-3
standards	IEC 61000-3-12 IEC 61508 EN/IEC 61800-3 EN/IEC 61800-3 environment 2 category C3 IEC 60721-3 EN/IEC 61800-5-1 IEC 13849-1 EN/IEC 61800-3 environment 1 category C2 UL 508C
product certifications	UL REACH ATEX zone 2/22 DNV-GL TÜV ATEX INERIS CSA
marking	CE

Offer Sustainability

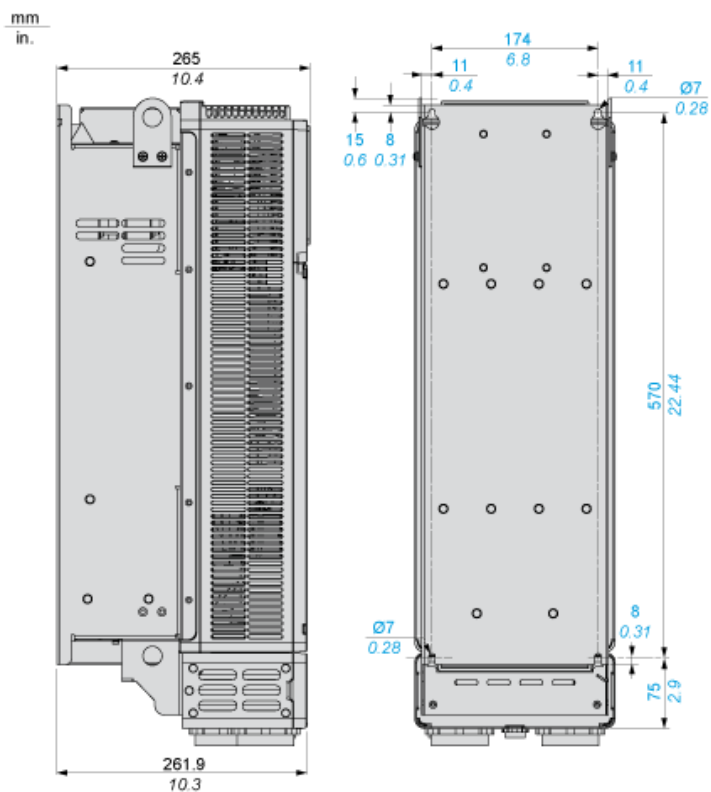
Sustainable offer status	Green Premium product
RoHS (date code: YYWW)	Compliant - since 1426 - Schneider Electric declaration of conformity- Schneider Electric declaration of conformity
REACH	Reference contains SVHC above the threshold - go to CaP for more details Go to CaP for more details
Product environmental profile	Available
Product end of life instructions	Available

Dimensions

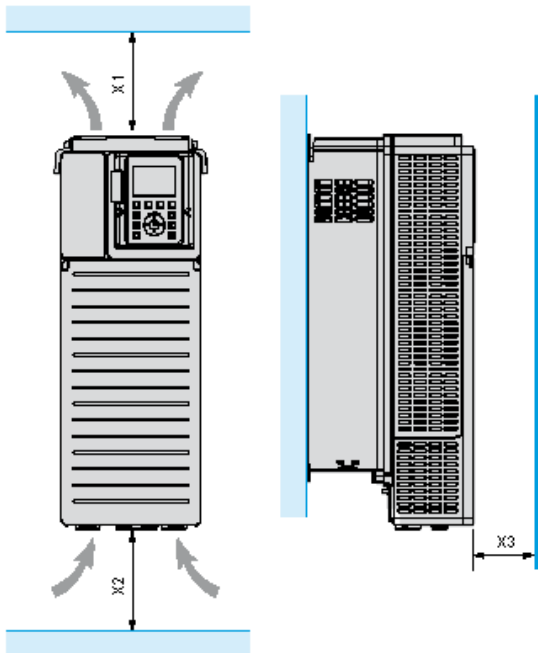
IP21 / UL Type 1 Drives - Front, Left and Rear View



Drive Without IP21 Top Cover - Left and Rear View



Clearances

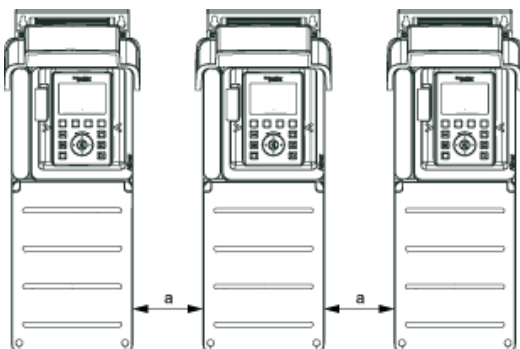


X1	X2	X3
≥ 100 mm (3.94 in.)	≥ 100 mm (3.94 in.)	≥ 10 mm (0.39 in.)

- Mount the device in a vertical position ($\pm 10^\circ$). This is required for cooling the device.
- Do not mount the device close to heat sources.
- Leave sufficient free space so that the air required for cooling purposes can circulate from the bottom to the top of the drive.

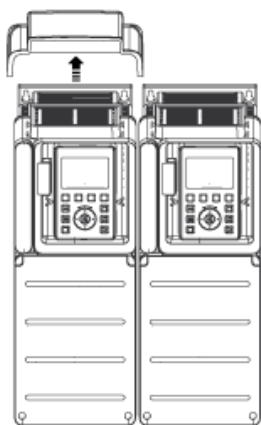
Mounting Types

Mounting Type A: Individual IP21

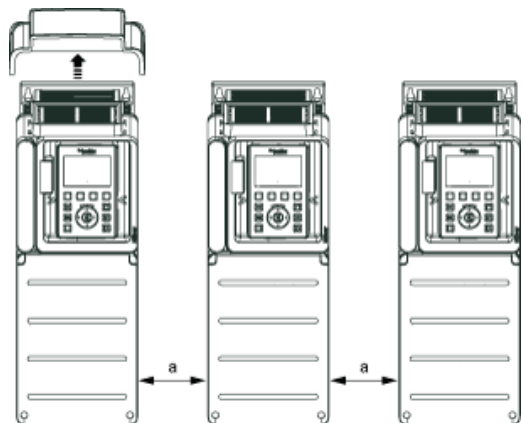


$a \geq 110 \text{ mm (4.33 in.)}$

Mounting Type B: Side by Side IP20 (Possible, 2 Drives Only)



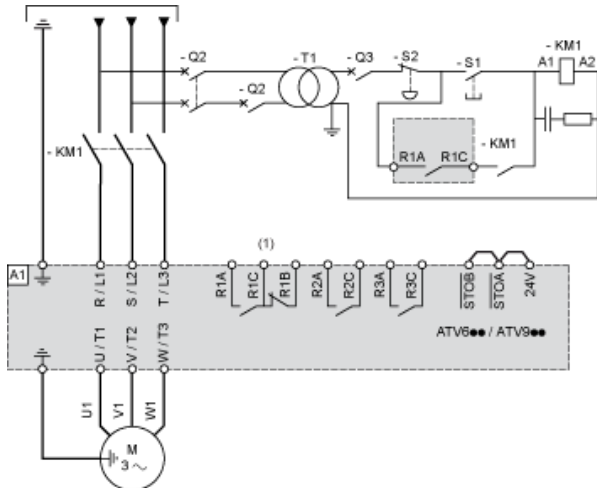
Mounting Type C: Individual IP20



$a \geq 110 \text{ mm (4.33 in.)}$

Single or Three-Phase Power Supply with Upstream Breaking via Line Contactor

Connection diagrams conforming to standards EN 954-1 category 1 and IEC/EN 61508 capacity SIL1, stopping category 0 in accordance with standard IEC/EN 60204-1



(1) Use digital output R1 set to operating state Fault to switch Off the product once an error is detected.

A1 : Drive

KM1 Line Contactor

Q2, Circuit breakers

Q3 :

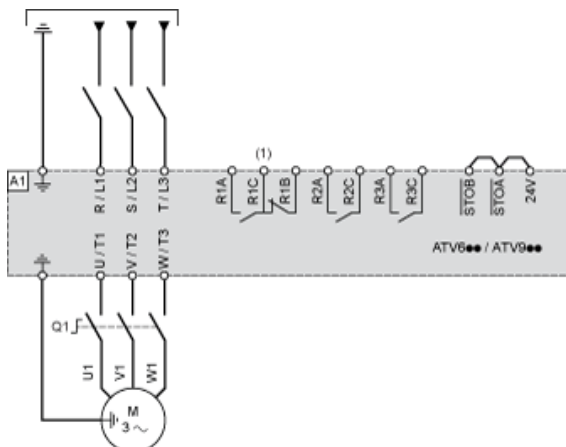
S1, Pushbuttons

S2 :

T1 : Transformer for control part

Single or Three-Phase Power Supply with Downstream Breaking via Switch Disconnecter

Connection diagrams conforming to standards EN 954-1 category 1 and IEC/EN 61508 capacity SIL1, stopping category 0 in accordance with standard IEC/EN 60204-1

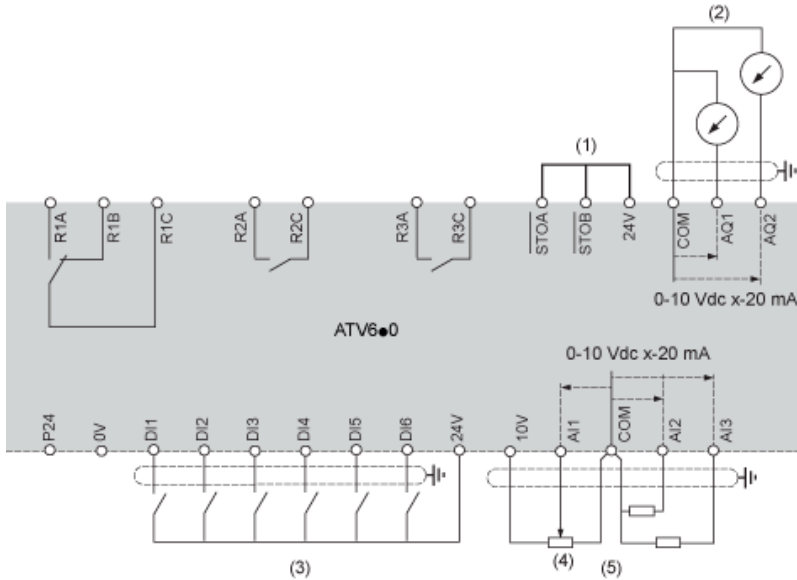


(1) Use digital output R1 set to operating state Fault to switch Off the product once an error is detected.

A1 : Drive

Q1 : Switch disconnecter

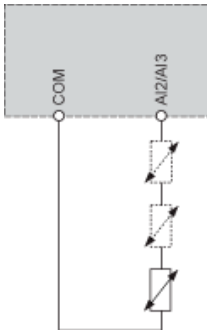
Control Block Wiring Diagram



- (1) Safe Torque Off
 - (2) Analog Output
 - (3) Digital Input
 - (4) Reference potentiometer
 - (5) Analog Input
- A1 : ATV6.. Drive
 R1A, Fault relay
 R1B,
 R1C :
 R2A, Sequence relay
 R2C :
 R3A, Sequence relay
 R3C :

Sensor Connection

It is possible to connect either 1 or 3 sensors on terminals AI2 or AI3.

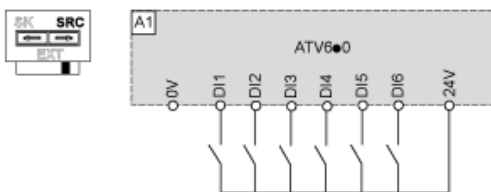


Sink / Source Switch Configuration

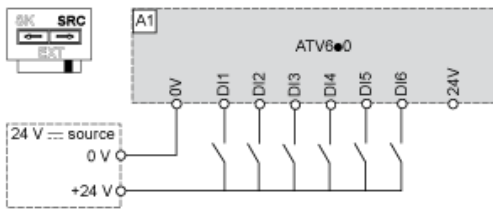
The switch is used to adapt the operation of the logic inputs to the technology of the programmable controller outputs.

- Set the switch to Source (factory setting) if using PLC outputs with PNP transistors.
- Set the switch to Ext if using PLC outputs with NPN transistors.

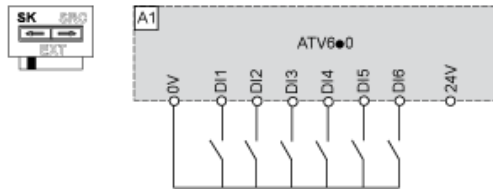
Switch Set to SRC (Source) Position Using the Output Power Supply for the Digital Inputs



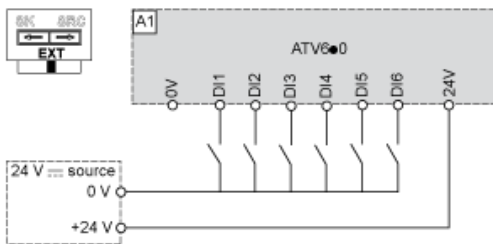
Switch Set to SRC (Source) Position and Use of an External Power Supply for the DIs



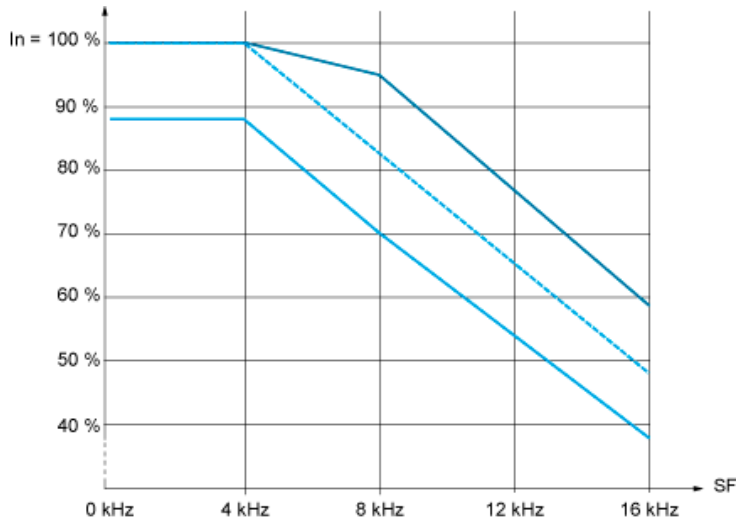
Switch Set to SK (Sink) Position Using the Output Power Supply for the Digital Inputs



Switch Set to EXT Position Using an External Power Supply for the DIs



Derating Curves



— 40 °C (104 °F) - Mounting type A, B and C
- - - 50 °C (122 °F) - Mounting type A, B and C
— 60 °C (140 °F) - Mounting type B and C
In : Nominal Drive Current
SF : Switching Frequency