

# Product datasheet

Specifications



## variable speed drive, Easy Altivar 610, 45kW, 60hp, 380 to 460V, IP20

ATV610D45N4

### Main

<b>Range of product</b>	Easy Altivar 610
<b>Product or component type</b>	Variable speed drive
<b>Product specific application</b>	Fan, pump, compressor, conveyor
<b>Device short name</b>	ATV610
<b>Variant</b>	Standard version
<b>Product destination</b>	Asynchronous motors Synchronous motors
<b>Mounting mode</b>	Cabinet mount
<b>EMC filter</b>	Integrated conforming to IEC 61800-3 category C3 with 50 m
<b>IP degree of protection</b>	IP20
<b>type of cooling</b>	Forced convection
<b>Supply frequency</b>	50...60 Hz +/-5 %
<b>Network number of phases</b>	3 phases
<b>[Us] rated supply voltage</b>	380...460 V - 15...10 %
<b>Motor power kW</b>	45 kW for normal duty 37 kW for heavy duty
<b>Motor power hp</b>	60 hp for normal duty 50 hp for heavy duty
<b>Line current</b>	92.9 A at 380 V (normal duty) 82.7 A at 460 V (normal duty) 80.5 A at 380 V (heavy duty) 69.6 A at 460 V (heavy duty)
<b>Prospective line Isc</b>	22 kA
<b>Apparent power</b>	65.9 kVA at 460 V (normal duty) 55.4 kVA at 460 V (heavy duty)
<b>Continuous output current</b>	88 A at 4 kHz for normal duty 75 A at 4 kHz for heavy duty
<b>Maximum transient current</b>	97 A during 60 s (normal duty) 112 A during 60 s (heavy duty)
<b>Asynchronous motor control profile</b>	Optimized torque mode Constant torque standard Variable torque standard
<b>Output frequency</b>	0.1...500 Hz
<b>Nominal switching frequency</b>	4 kHz
<b>Switching frequency</b>	2...12 kHz adjustable
<b>number of preset speeds</b>	16 preset speeds

<b>Communication port protocol</b>	Modbus serial
<b>Option card</b>	Slot A: communication card, Profibus DP V1 Slot A: digital or analog I/O extension card Slot A: relay output card

## Complementary

<b>Output voltage</b>	<= power supply voltage
<b>Motor slip compensation</b>	Automatic whatever the load Adjustable Not available in permanent magnet motor law Can be suppressed
<b>Acceleration and deceleration ramps</b>	Linear adjustable separately from 0.01 to 9000 s S, U or customized
<b>Braking to standstill</b>	By DC injection
<b>Protection type</b>	Thermal protection: motor Motor phase break: motor Thermal protection: drive Overheating: drive Overcurrent between output phases and earth: drive Overload of output voltage: drive Short-circuit protection: drive Motor phase break: drive Overvoltages on the DC bus: drive Line supply overvoltage: drive Line supply undervoltage: drive Line supply phase loss: drive Overspeed: drive Break on the control circuit: drive
<b>Frequency resolution</b>	Display unit: 0.1 Hz Analog input: 0.012/50 Hz
<b>Electrical connection</b>	Control, screw terminal: 0.5...1.5 mm <sup>2</sup> Line side, screw terminal: 35...50 mm <sup>2</sup> Motor, screw terminal: 50 mm <sup>2</sup>
<b>Connector type</b>	1 RJ45 (on the remote graphic terminal) for Modbus serial
<b>Physical interface</b>	2-wire RS 485 for Modbus serial
<b>Transmission frame</b>	RTU for Modbus serial
<b>Transmission rate</b>	4.8, 9.6, 19.2, 38.4 kbit/s for Modbus serial
<b>Type of polarization</b>	No impedance for Modbus serial
<b>Number of addresses</b>	1...247 for Modbus serial
<b>Method of access</b>	Slave
<b>Supply</b>	External supply for digital inputs: 24 V DC (19...30 V), <1.25 mA, protection type: overload and short-circuit protection Internal supply for reference potentiometer (1 to 10 kOhm): 10.5 V DC +/- 5 %, <10 mA, protection type: overload and short-circuit protection
<b>Local signalling</b>	2 LEDs for local diagnostic 1 LED (yellow) for embedded communication status 2 LEDs (dual colour) for communication module status 1 LED (red) for presence of voltage
<b>Width</b>	226 mm
<b>Height</b>	613 mm 706 mm with EMC plate
<b>Depth</b>	271 mm
<b>Product weight</b>	25.5 kg
<b>Analogue input number</b>	3

<b>Analogue input type</b>	AI1, AI2, AI3 software-configurable voltage: 0...10 V DC, impedance: 30 kOhm, resolution 12 bits AI1, AI2, AI3 software-configurable current: 0...20 mA, impedance: 250 Ohm, resolution 12 bits AI2, AI3 software-configurable temperature probe or water level sensor
<b>Discrete input number</b>	6
<b>Discrete input type</b>	DI1...DI6 programmable as logic input, 24 V DC ( $\leq 30$ V), impedance: 3.5 kOhm DI5, DI6 programmable as pulse input: 0...30 kHz, 24 V DC ( $\leq 30$ V)
<b>Input compatibility</b>	DI1...DI6: logic input level 1 PLC conforming to IEC 61131-2 DI5, DI6: pulse input level 1 PLC conforming to IEC 65A-68
<b>Discrete input logic</b>	Positive logic (source): DI1...DI6 configurable logic input, $< 5$ V (state 0), $> 11$ V (state 1) Negative logic (sink): DI1...DI6 configurable logic input, $> 16$ V (state 0), $< 10$ V (state 1) Positive logic (source): DI5, DI6 configurable pulse input, $< 0.6$ V (state 0), $> 2.5$ V (state 1)
<b>Analogue output number</b>	2
<b>Analogue output type</b>	Software-configurable current AQ1, AQ2: 0...20 mA, resolution 10 bits Software-configurable voltage AQ1, AQ2: 0...10 V DC impedance 470 Ohm, resolution 10 bits
<b>Sampling duration</b>	5 ms $\pm$ 0.1 ms (AI1, AI2, AI3) - analog input 2 ms $\pm$ 0.5 ms (DI1...DI6)configurable - discrete input 5 ms $\pm$ 1 ms (DI5, DI6)configurable - pulse input 10 ms $\pm$ 1 ms (AQ1, AQ2) - analog output
<b>Accuracy</b>	$\pm$ 0.6 % AI1, AI2, AI3 for a temperature variation 60 °C analog input $\pm$ 1 % AQ1, AQ2 for a temperature variation 60 °C analog output
<b>Linearity error</b>	AI1, AI2, AI3: $\pm$ 0.15 % of maximum value for analog input AQ1, AQ2: $\pm$ 0.2 % for analog output
<b>Relay output number</b>	3
<b>Relay output type</b>	Configurable relay logic R1: fault relay NO/NC electrical durability 100000 cycles Configurable relay logic R2: sequence relay NO electrical durability 100000 cycles Configurable relay logic R3: sequence relay NO electrical durability 100000 cycles
<b>Refresh time</b>	Relay output (R1, R2, R3): 5 ms ( $\pm$ 0.5 ms)
<b>Minimum switching current</b>	Relay output R1, R2, R3: 5 mA at 24 V DC
<b>Maximum switching current</b>	Relay output R1, R2, R3 on resistive load, $\cos \phi = 1$ : 3 A at 250 V AC Relay output R1, R2, R3 on resistive load, $\cos \phi = 1$ : 3 A at 30 V DC Relay output R1, R2, R3 on inductive load, $\cos \phi = 0.4$ and L/R = 7 ms: 2 A at 250 V AC Relay output R1, R2, R3 on inductive load, $\cos \phi = 0.4$ and L/R = 7 ms: 2 A at 30 V DC
<b>Isolation</b>	Between power and control terminals
<b>Insulation resistance</b>	$> 1$ MOhm 500 V DC for 1 minute to earth

## Environment

<b>Noise level</b>	75 dB conforming to 86/188/EEC
<b>Power dissipation in W</b>	1000 W(forced convection) at 380 V, switching frequency 4 kHz 121 W(natural convection) at 380 V, switching frequency 4 kHz
<b>Volume of cooling air</b>	240 m <sup>3</sup> /h
<b>Operating position</b>	Vertical $\pm$ 10 degree
<b>Electromagnetic compatibility</b>	Electrostatic discharge immunity test level 3 conforming to IEC 61000-4-2 Radiated radio-frequency electromagnetic field immunity test level 3 conforming to IEC 61000-4-3 Electrical fast transient/burst immunity test level 4 conforming to IEC 61000-4-4 1.2/50 $\mu$ s - 8/20 $\mu$ s surge immunity test level 3 conforming to IEC 61000-4-5 Conducted radio-frequency immunity test level 3 conforming to IEC 61000-4-6
<b>Pollution degree</b>	2 conforming to IEC 61800-5-1

<b>Vibration resistance</b>	1.5 mm peak to peak (f= 2...13 Hz) conforming to IEC 60068-2-6 1 gn (f= 13...200 Hz) conforming to IEC 60068-2-6
<b>Shock resistance</b>	15 gn for 11 ms conforming to IEC 60068-2-27
<b>Relative humidity</b>	5...95 % without condensation conforming to IEC 60068-2-3
<b>Ambient air temperature for operation</b>	-15...45 °C (without derating) 45...60 °C (with derating factor)
<b>Ambient air temperature for storage</b>	-40...70 °C
<b>Operating altitude</b>	<= 1000 m without derating 1000...4800 m with current derating 1 % per 100 m
<b>Environmental characteristic</b>	Chemical pollution resistance class 3C3 conforming to IEC 60721-3-3 Dust pollution resistance class 3S3 conforming to IEC 60721-3-3
<b>Standards</b>	IEC 61800-3 Environment 2 category C3 IEC 61800-3 IEC 61800-5-1 IEC 60721-3
<b>Marking</b>	CE

## Packing Units

<b>Unit Type of Package 1</b>	PCE
<b>Number of Units in Package 1</b>	1
<b>Package 1 Height</b>	34.000 cm
<b>Package 1 Width</b>	52.000 cm
<b>Package 1 Length</b>	73.000 cm
<b>Package 1 Weight</b>	30.200 kg

## Environmental Data

Schneider Electric aims to achieve Net Zero status by 2050 through supply chain partnerships, lower impact materials, and circularity via our ongoing “Use Better, Use Longer, Use Again” campaign to extend product lifetimes and recyclability.

[Environmental Data explained >](#)

[How we assess product sustainability >](#)

### Environmental footprint

Carbon footprint (kg.eq.CO2 per CR, Total Life cycle) 80864

Environmental Disclosure [Product Environmental Profile](#)

## Use Better

### Materials and Substances

Packaging made with recycled cardboard No

Packaging without single use plastic No

[EU RoHS Directive](#) Pro-active compliance (Product out of EU RoHS legal scope)

REACH Regulation [REACH Declaration](#)

### Energy efficiency

Product contributes to saved and avoided emissions Yes

## Use Longer

### Lifetime extension

Upgradeability Yes

## Use Again

### Repack and remanufacture

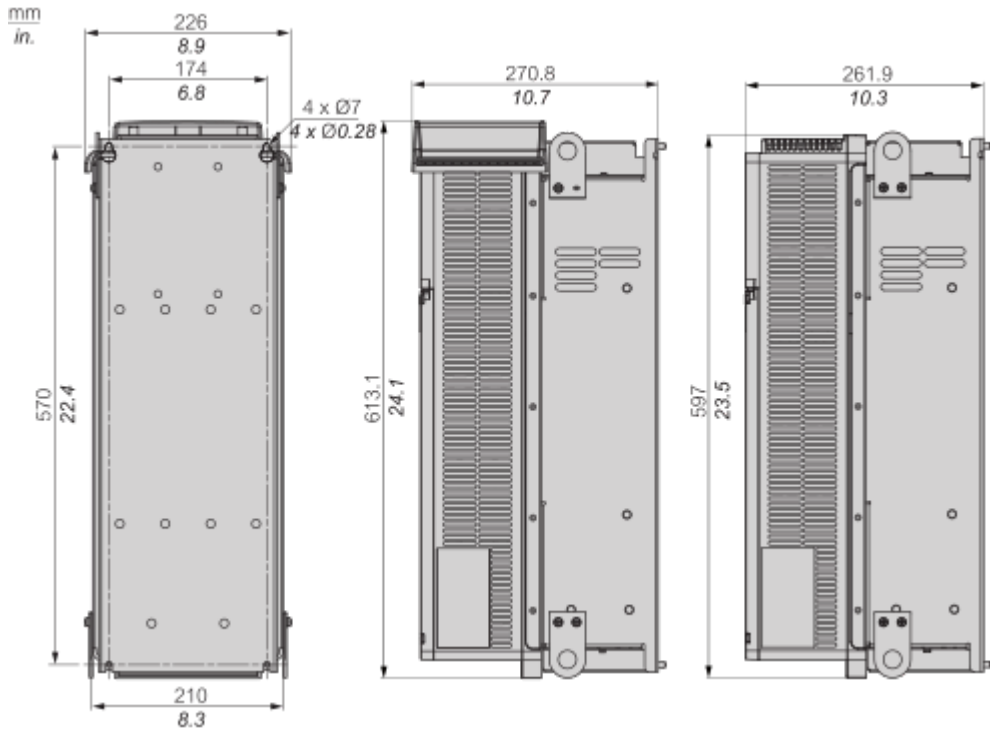
Circularity Profile [End of Life Information](#)

Take-back No

Dimensions Drawings

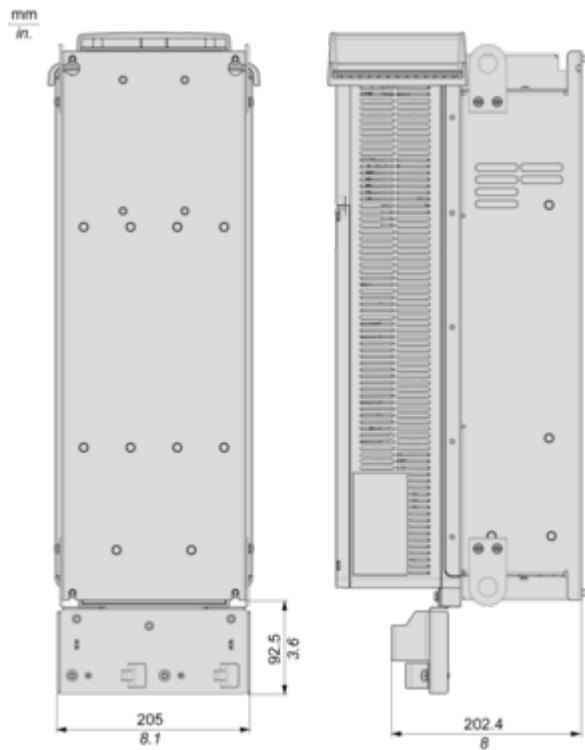
Dimensions

IP20 Drives



Drawings from left to right: rear view, right side view with top cover, right side view without top cover.

IP20 Drives With EMC Plate

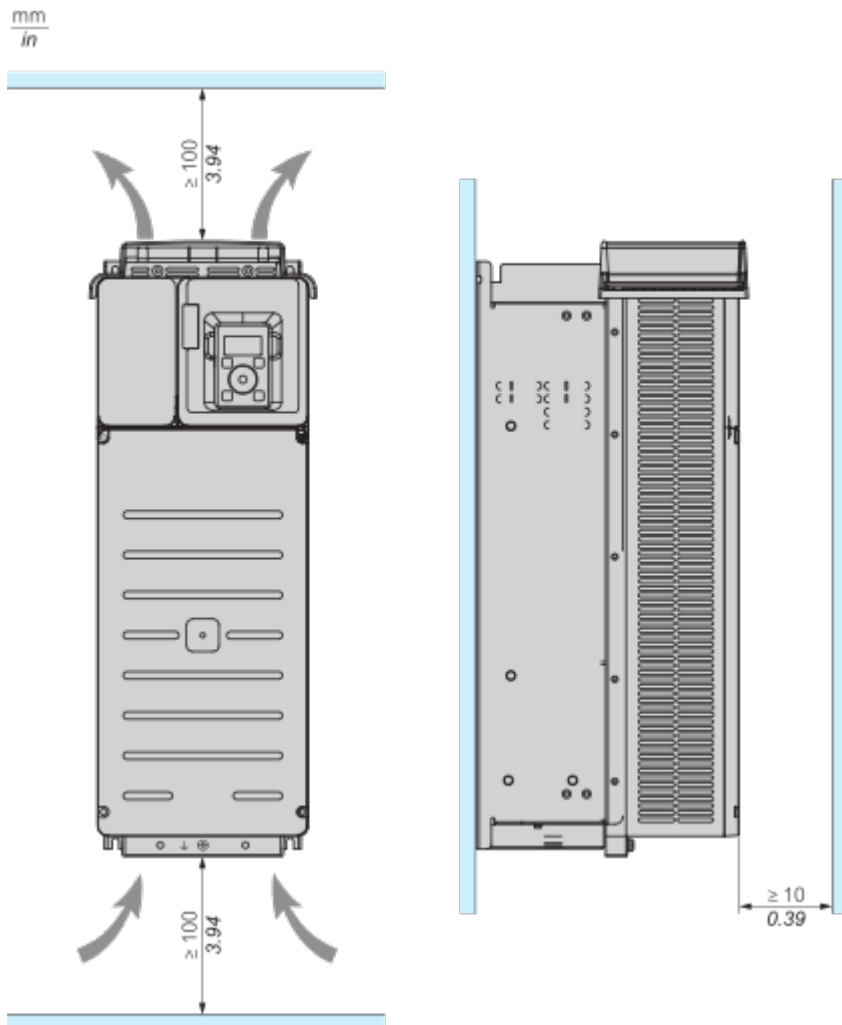


Drawings from left to right: rear view, right side view with top cover.



Mounting and Clearance

Clearances and Mounting Position - Wall Mounting

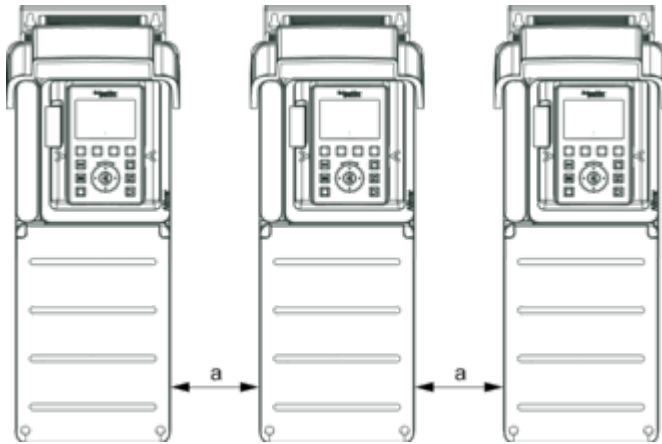


- Mount the device in a vertical position. This is required for cooling the device.
- Attach it on the mounting surface in compliance with standards, using 4 screws with captive washer.
- The use of washers is required with all mounting screws.
- Tighten the fixation screws.
- Do not mount the device close to heat sources.
- Avoid environmental effects like high temperatures and high humidity as well as dust, dirt and conductive gases.
- Adhere to the minimum installation distances for required cooling.
- Do not mount the device on flammable materials.

Mounting Types

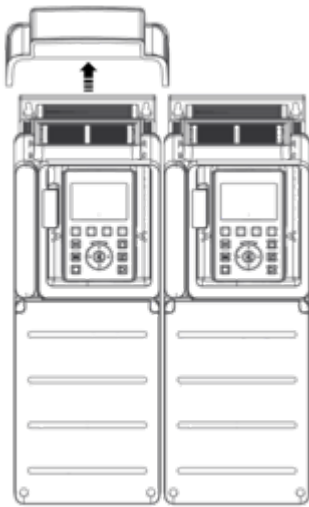
---

**Mounting Type A: Individual IP21**

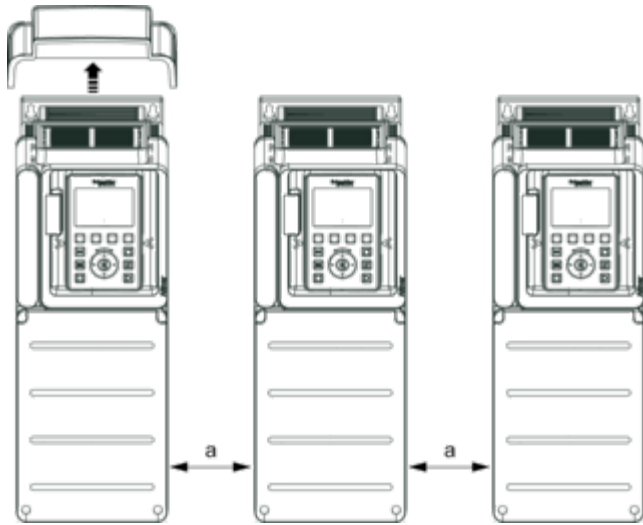


$a \geq 110 \text{ mm (4.33 in.)}$

**Mounting Type B: Side by Side IP20 (Possible, 2 Drives Only)**



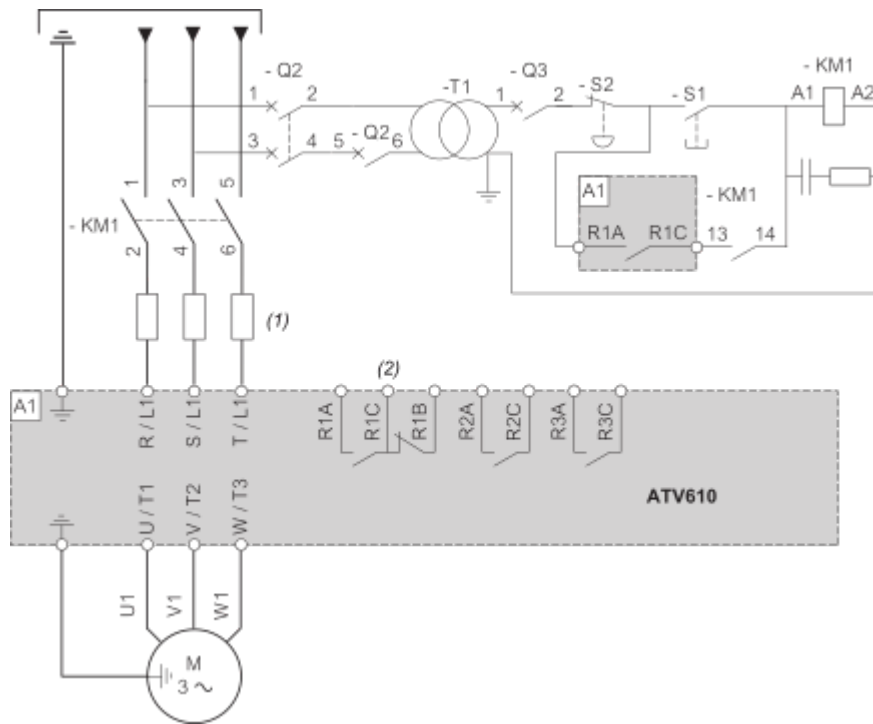
**Mounting Type C: Individual IP20**



$a \geq 110 \text{ mm (4.33 in.)}$

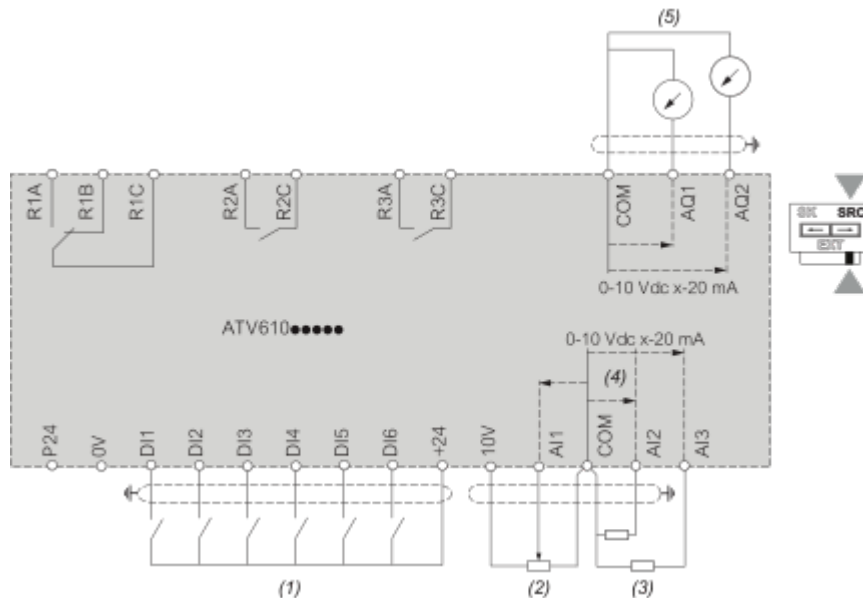
Connections and Schema

Three-phase Power Supply - Diagram With Line Contactor



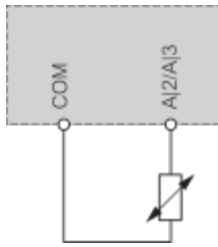
- (1) Line choke (if used).
- (2) Use relay output R1 set to operating state Fault to switch Off the product once an error is detected.

Control Block Wiring Diagram



- (1) : Digital Inputs
- (2) : Reference potentiometer
- (3) : Analog inputs
- (4) : -10...+10 Vdc
- (5) : Analog outputs

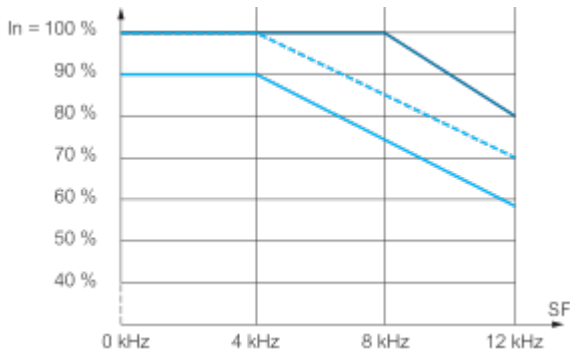
Sensor Connection



It is possible to connect either 1 sensors on terminals AI2 or AI3.

Performance Curves

Derating Curves



- 40 °C (104 °F) - Mounting type A, B and C
- 45 °C (113 °F) - Mounting type A, B and C
- 60 °C (140 °F) - Mounting type B and C

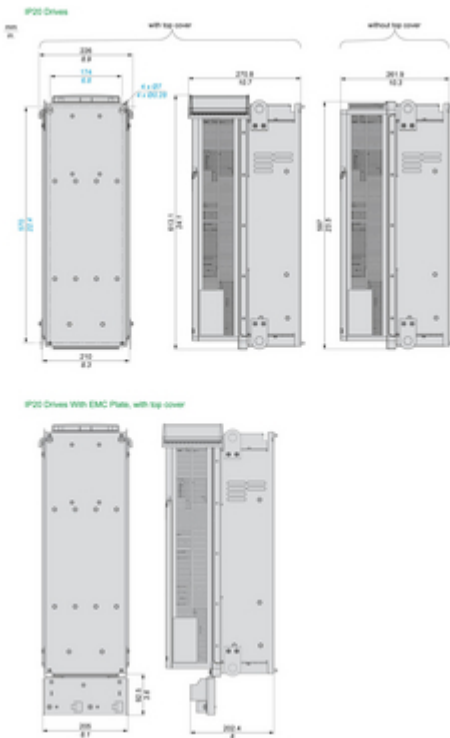
**In** : Nominal Drive Current

**SF** : Switching Frequency

Technical Illustration

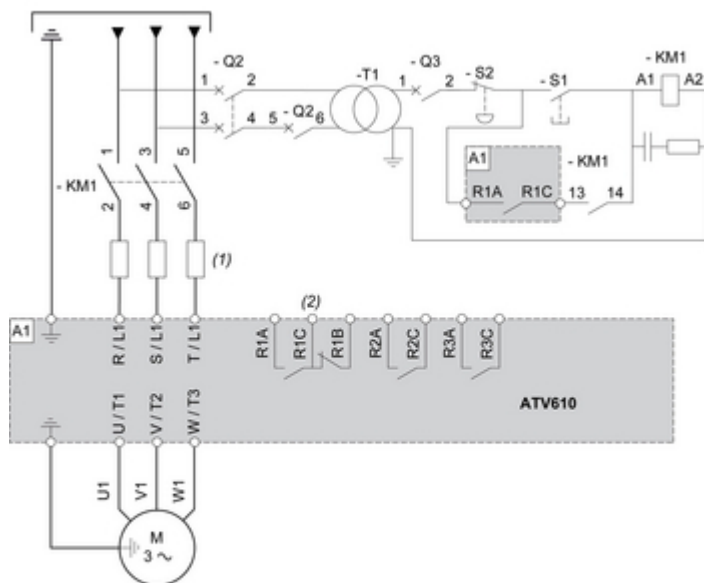
Dimensions

---



Technical Illustration

Wiring diagram



- (1) Line choke (if used).
- (2) Use relay output R1 set to operating state Fault to switch Off the product once an error is detected.