

# Product data sheet

Specifications



## analog output module Modicon Quantum - 4 O - 4..20 mA, 12 bits bipolar current

140ACO02000

⚠ Discontinued on: Jan 15, 2023

⚠ To be end-of-service on: Dec 31, 2030

⚠ Discontinued - Service only

### Main

Range of product	Modicon Quantum automation platform
Product or component type	Analogue output module

### Complementary

Analogue output number	4
Addressing requirement	4 output words
Loop voltage	12...30 V DC
Maximum voltage drop	<30 V 20 mA
Analogue output range	4...20 mA 0...4096 counts, 12 bits bipolar current
Absolute accuracy error	+/- 0.20 % of full scale at 25 °C
Linearity	+/- 1 LSB
Accuracy drift according to temperature	+/- 0.004 % of full scale/°C +/- 0.007 % of full scale/°C maximum
Isolation between channels	500 V 47...63 Hz AC 750 V for 1 minute DC
Update time	3 ms
Setting time	900 µs to +/- 0.1 % of the final value
Fault type	Open circuit 4...20 mA
Bus current requirement	480 mA
Maximum power dissipation in W	5.3 W
External power requirement	12...30 V
Marking	CE
Local signalling	1 LED (green) for bus communication is present (Active) 1 LED (red) for external fault 4 LEDs (green) for channel is turned on 4 LEDs (red) for channel fault
Module format	Standard
Product weight	0.3 kg

### Environment

Product certifications	FM Class 1 Division 2 cUL
Standards	CSA C22.2 No 142 UL 508

---

<b>Resistance to electromagnetic fields</b>	10 V/m 80...2000 MHz conforming to IEC 801-3
<b>Ambient air temperature for operation</b>	0...60 °C
<b>Ambient air temperature for storage</b>	-40...85 °C
<b>Relative humidity</b>	95 % without condensation
<b>Operating altitude</b>	<= 5000 m

---

## Packing Units

---

<b>Unit Type of Package 1</b>	PCE
<b>Number of Units in Package 1</b>	1
<b>Package 1 Height</b>	4.8 cm
<b>Package 1 Width</b>	16.5 cm
<b>Package 1 Length</b>	31.5 cm
<b>Package 1 Weight</b>	457.0 g

---

## Contractual warranty

---

<b>Warranty (in months)</b>	18
-----------------------------	----

---



## Environmental Data

Schneider Electric aims to achieve Net Zero status by 2050 through supply chain partnerships, lower impact materials, and circularity via our ongoing “Use Better, Use Longer, Use Again” campaign to extend product lifetimes and recyclability.

[Environmental Data explained >](#)

[How we assess product sustainability >](#)

### Use Better



#### Materials and Substances

EU RoHS Directive

[Compliant](#)

California proposition 65

WARNING: This product can expose you to chemicals including: Lead and lead compounds, which is known to the State of California to cause cancer and birth defects or other reproductive harm. For more information go to [www.P65Warnings.ca.gov](http://www.P65Warnings.ca.gov)

### Use Longer



#### Lifetime extension

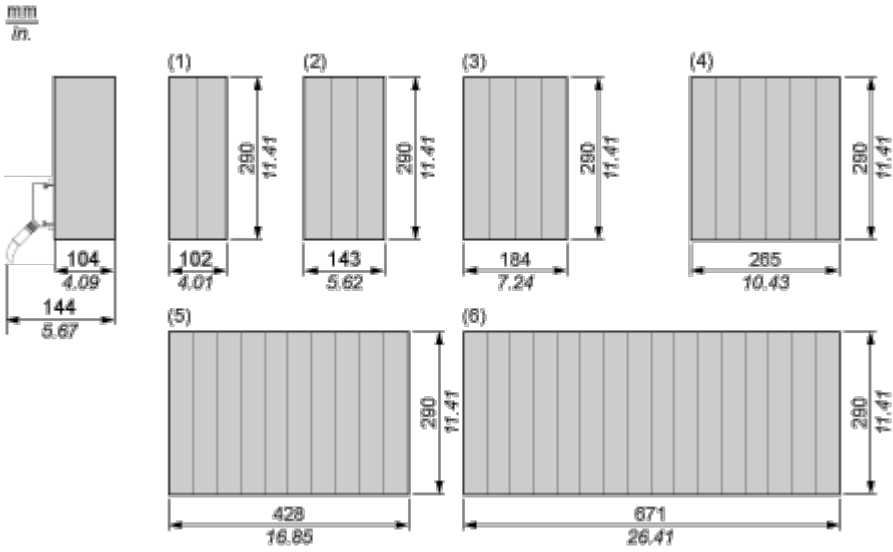
Repair

No

Dimensions Drawings

Racks for Modules Mounting

Dimensions of Modules and Racks

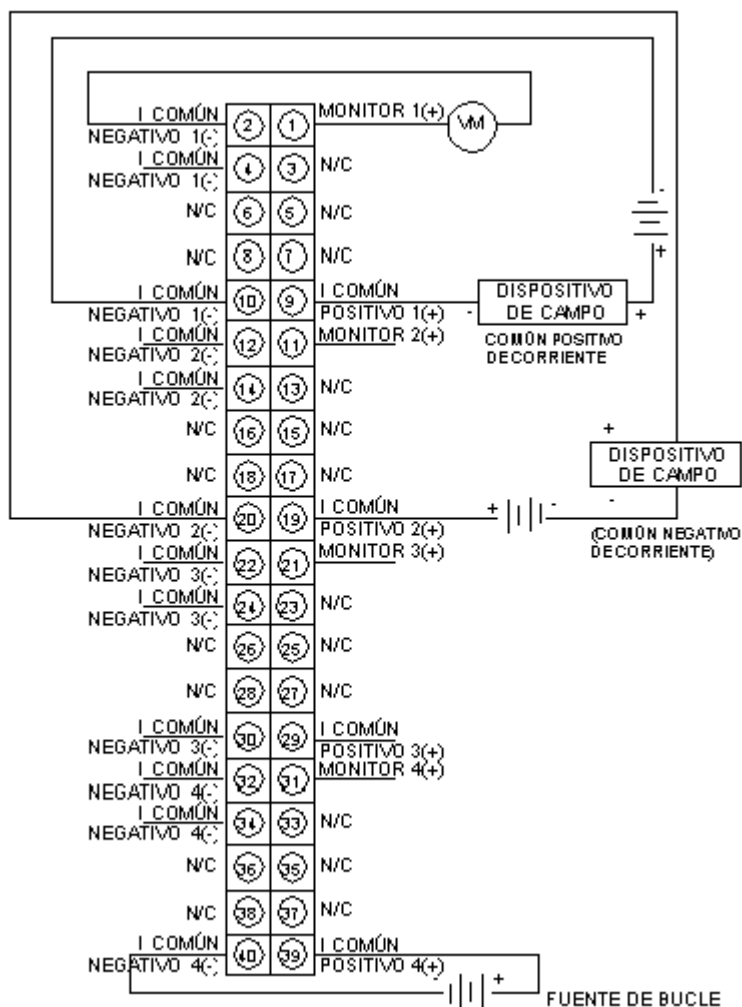


- (1) 2 slots
- (2) 3 slots
- (3) 4 slots
- (4) 6 slots
- (5) 10 slots
- (6) 16 slots

Connections and Schema

Analog Output 4-Channel Current Module

Wiring Diagram



N/C Not Connected